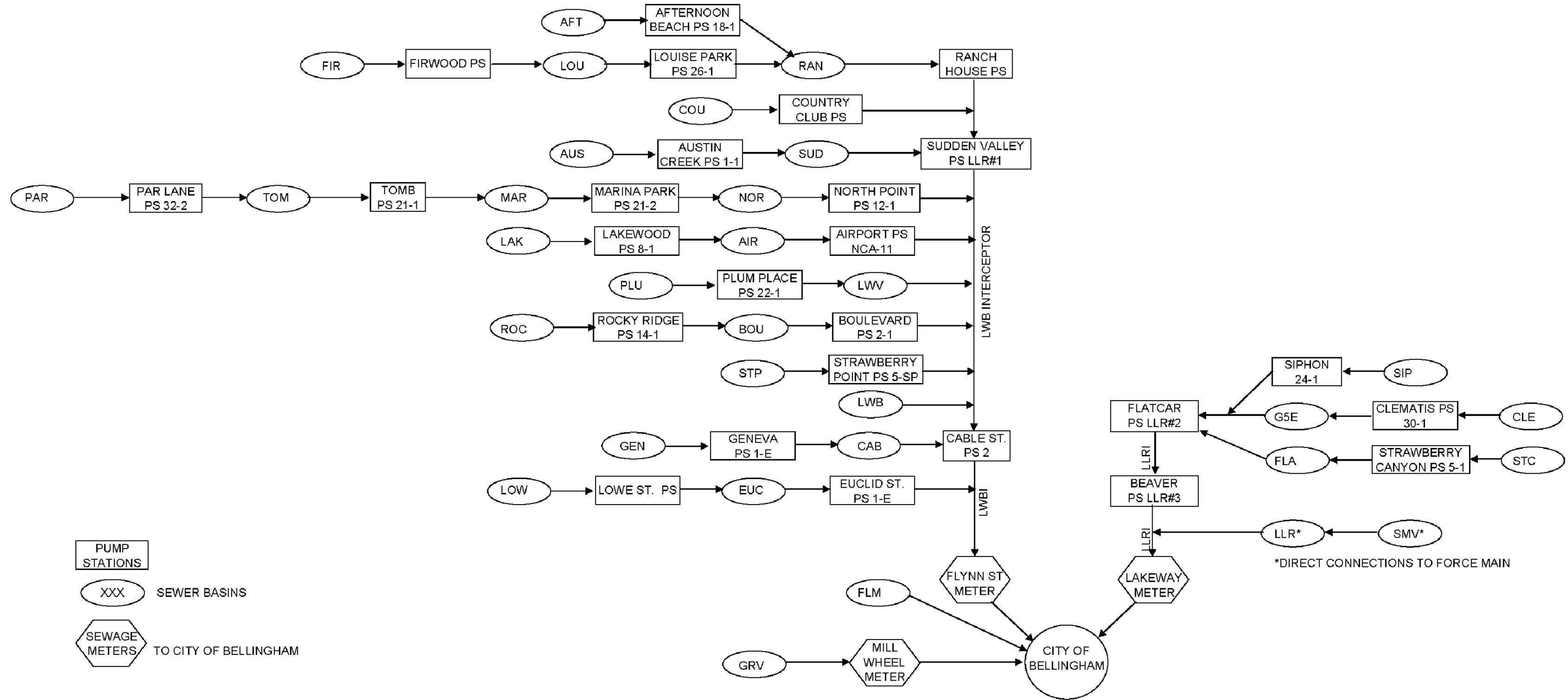

EXHIBIT E. SUDDEN VALLEY- GENEVA FLOW SCHEMATICS

LOW ENERGY (FORMERLY DRY WEATHER) SOUTH SHORE SEWER FLOW DIAGRAM SUDDEN VALLEY PUMP STATION FLOWING TO LAKE WHATCOM BLVD INTERCEPTOR



PUMP STATIONS
 XXX SEWER BASINS
 SEWAGE METERS TO CITY OF BELLINGHAM

WILSON ENGINEERING, LLC
 805 DUPONT STREET
 BELLINGHAM, WA 98225
 (360) 733-6100 • FAX (360) 647-9061
 www.wilsonengineering.com



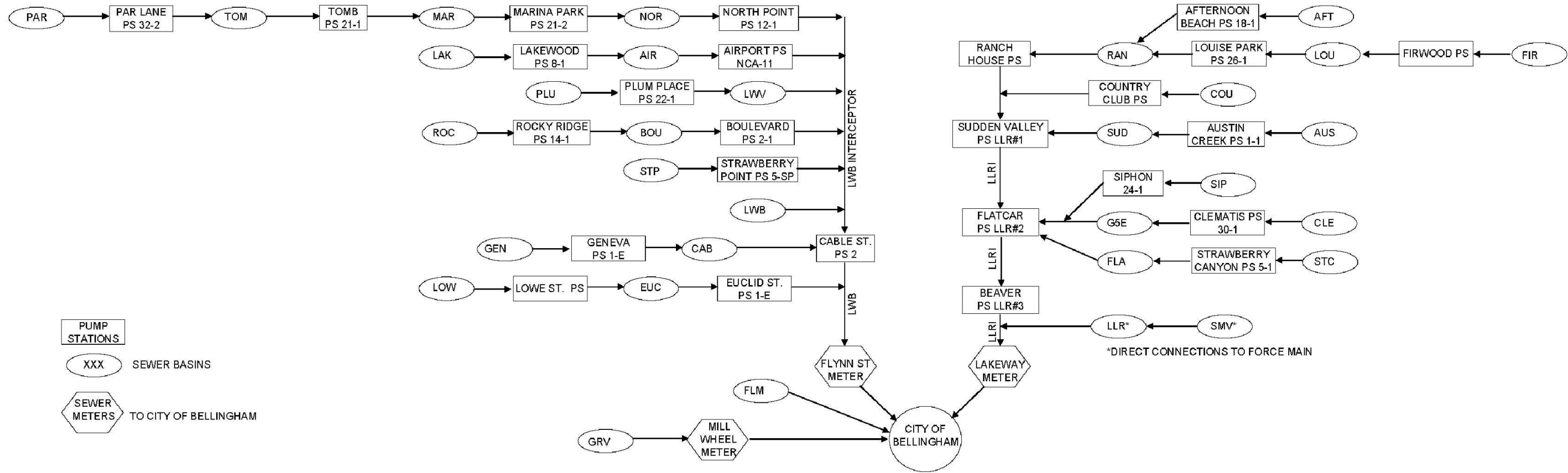
DESIGNED BY: MMM
 DRAWN BY: RDN
 CHECKED BY:

LAKE WHATCOM WATER AND SEWER DISTRICT
 BELLINGHAM, WASHINGTON
EXHIBIT E-1
 SOUTH SHORE SYSTEM FLOW SCHEMATIC
 SUDDEN VALLEY PS FLOWING TO LWBI

SHEET: 1 OF 1
 DATE: OCT 2013
 SCALE: AS SHOWN
 JOB NUMBER: 2013-014

W:\2013\2013-014\LWSD Sewer Comp Plan Update\Dwg\E-1.dwg, 10/29/2013 11:02:56 AM, DWG To PDF.pc3, RDN

HIGH ENERGY (FORMERLY WET WEATHER) SOUTH SHORE SEWER FLOW DIAGRAM SUDDEN VALLEY PUMP STATION FLOWING TO LAKE LOUISE ROAD INTERCEPTOR



WILSON ENGINEERING, LLC
805 DUPONT STREET
BELLINGHAM, WA 98225
(360) 733-6100 • FAX (360) 647-9061
www.wilsonengineering.com



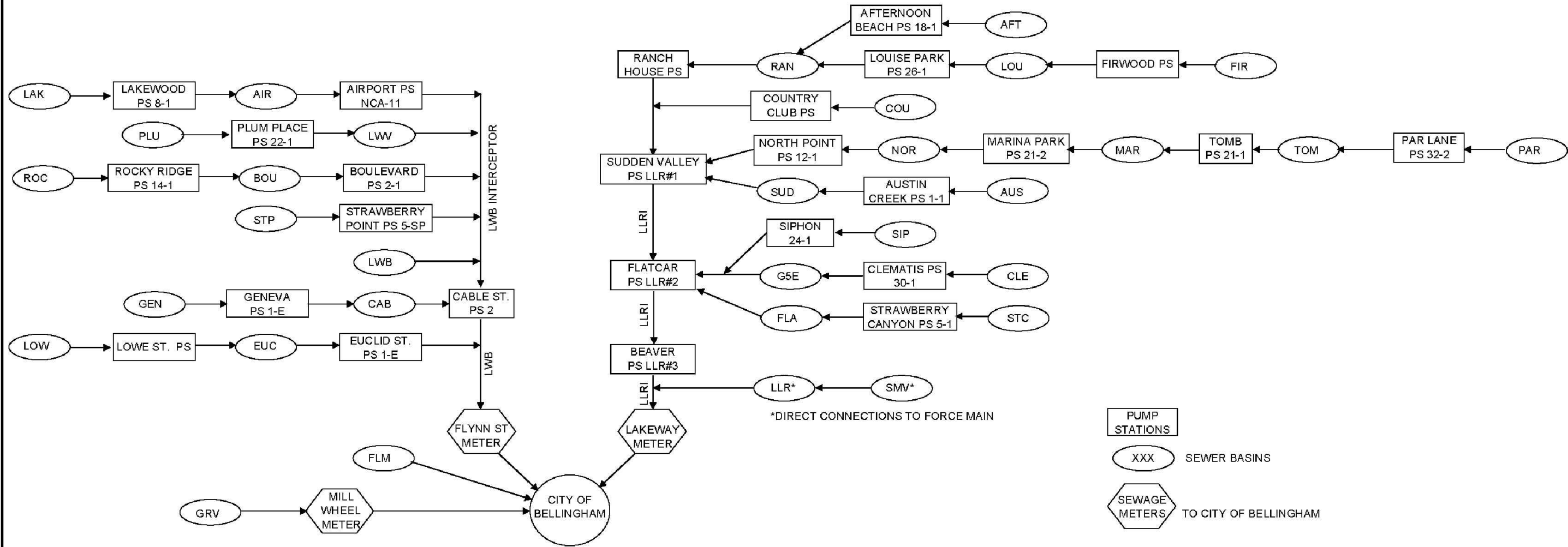
DESIGNED BY: MMM
DRAWN BY: RDN
CHECKED BY:

LAKE WHATCOM WATER AND SEWER DISTRICT
BELLINGHAM, WASHINGTON
EXHIBIT E-2
SOUTH SHORE SYSTEM FLOW SCHEMATIC
SUDDEN VALLEY PS FLOWING TO LLRI

DATE: OCT 2013
SCALE: AS SHOWN
JOB NUMBER: 2013-014
SHEET: 1 OF 1

W:\2013\2013-014\LNWSD Sewer Comp Plan Update\Drawg\1-3.dwg, 10/20/2013 11:08:01 AM, DWG To PDF.pc3, RDN

ULTIMATE (20-YEAR) SOUTH SHORE SEWER FLOW DIAGRAM SUDDEN VALLEY AND NORTH POINT PUMP STATIONS FLOWING TO LAKE LOUISE ROAD INTERCEPTOR



WILSON ENGINEERING, LLC
805 DUPONT STREET
BELLINGHAM, WA 98225
(360) 733-6100 • FAX (360) 647-9061
www.wilsonengineering.com



DESIGNED BY: MMM
DRAWN BY: RDN
CHECKED BY:

LAKE WHATCOM WATER AND SEWER DISTRICT
BELLINGHAM WASHINGTON
EXHIBIT E-3
SOUTH SHORE SYSTEM FLOW SCHEMATIC
SUDDEN VALLEY AND NO. POINT TO LLRI

DATE: OCT 2013
SCALE: AS SHOWN
JOB NUMBER: 2013-014
SHEET: 1 OF 1

W:\2013\2013-014\LLR\SD Sewer Comp Plan Update\Drawg\1-3.dwg, 10/20/2013 11:00:06 AM, DWG To PDF.pc3, RDN