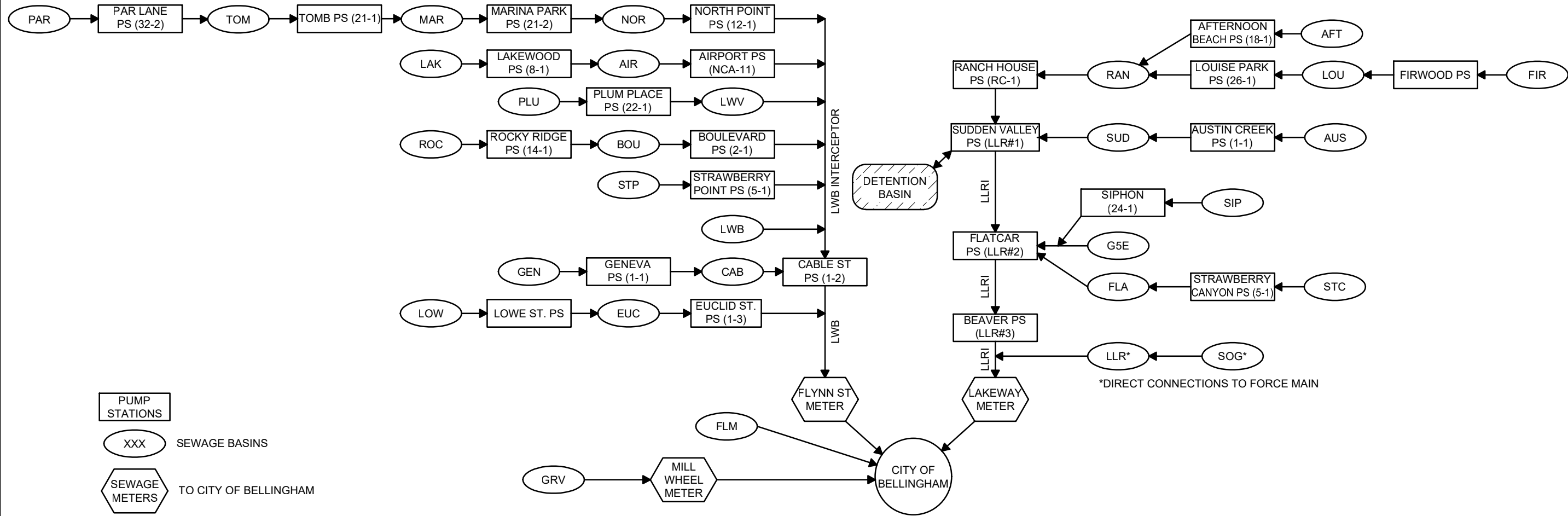

EXHIBIT E. SUDDEN VALLEY- GENEVA FLOW SCHEMATICS

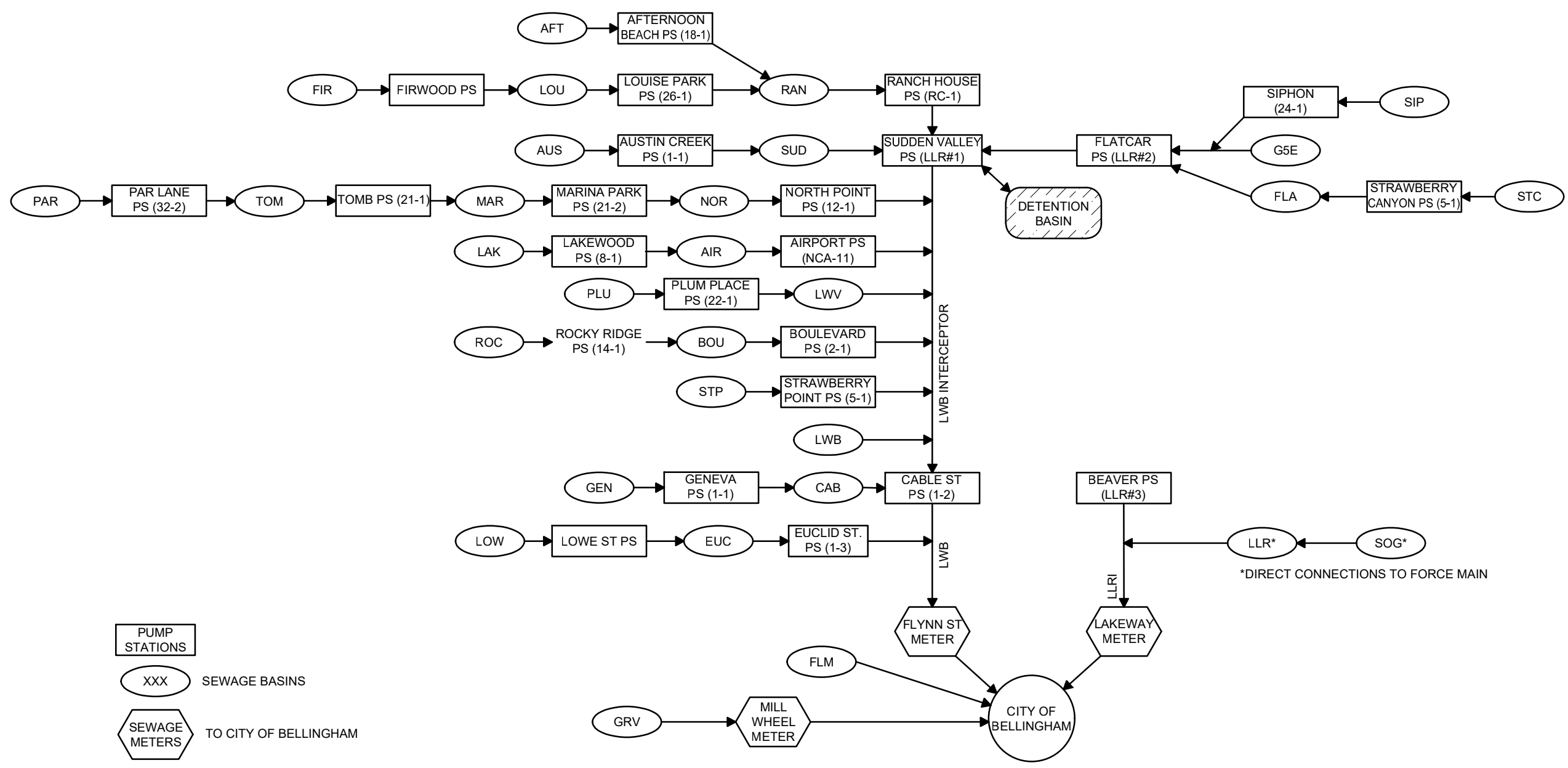
SOUTH SHORE SEWER FLOW DIAGRAM SUDDEN VALLEY PUMP STATION FLOWING TO LAKE LOUISE ROAD INTERCEPTOR



PLOT SETTINGS: DWG To PDF.pc3, Previous paper size (17.00 x 11.00 Inches), Portrait, 1:2, WE APWA_UNSCREENED.ctb
 W:\2019\2019-077 LWSD COMP SEWER PLAN 2019 UPDATE_MM\DWG V2019\EXHIBITS E1-3.DWG - 2/4/2020 12:48 PM - Rio Nickerson

DESIGNED BY: XXX
 DRAWN BY: XXX
 CHECKED BY: XXX

SOUTH SHORE SEWER FLOW DIAGRAM – REVERSE FLOW SCENARIO FLATCAR #2 PUMP STATION FLOWING TO LAKE WHATCOM BLVD INTERCEPTOR



PUMP STATIONS
XXX SEWAGE BASINS
SEWAGE METERS TO CITY OF BELLINGHAM

PLOT SETTINGS: DWG To PDF.pc3, Previous paper size (17.00 x 11.00 Inches), Portrait, 1:2, WE APWA_UNSCREENED.ctb
 W:\2019\2019-077 LWSD COMP SEWER PLAN 2019 UPDATE_MM\DWG V2019\EXHIBITS E1-3.DWG - 2/4/2020 12:48 PM - Rio Nickerson

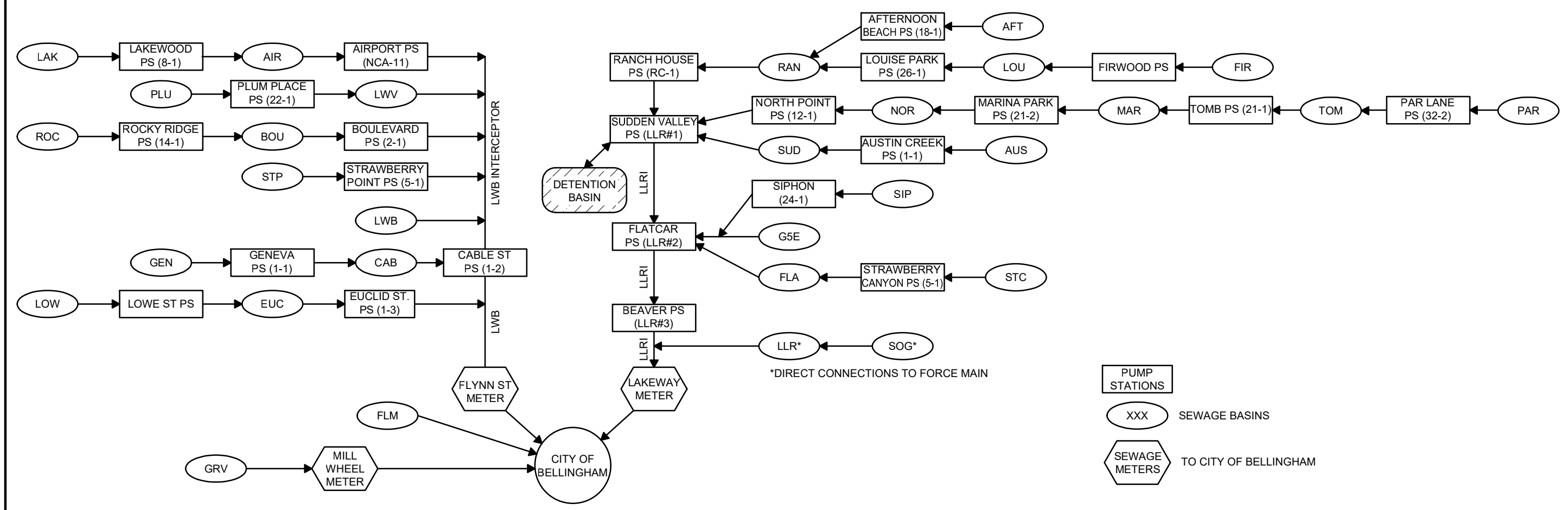
DESIGNED BY: XXX
 DRAWN BY: XXX
 CHECKED BY:

LAKE WHATCOM WATER AND SEWER DISTRICT
 WASHINGTON
 BELLINGHAM
EXHIBIT E-2
SOUTH SHORE SYSTEM FLOW SCHEMATIC
FLATCAR #2 PS FLOWING TO LLBI

SHEET	2	DATE	FEB. 2020	SCALE	AS SHOWN	JOB NUMBER	2019-077
PAGE	2	OF	3				

PLOT SETTINGS: DWG To PDF.pc3, Previous paper size (17.00 x 11.00 Inches), Portrait, 1:2, WE APWA_UNSCREENED.ctb
 W:\2019\2019-077 LWSD COMP SEWER PLAN 2019 UPDATE_MMM\DWG V2019\EXHIBITS E1-3.DWG - 2/4/2020 12:48 PM - Rio Nickerson

ULTIMATE (20-YEAR) SOUTH SHORE SEWER FLOW DIAGRAM SUDDEN VALLEY & NORTH POINT PUMP STATIONS FLOWING TO LAKE LOUISE ROAD INTERCEPTOR



PUMP STATIONS

XXX SEWAGE BASINS

SEWAGE METERS TO CITY OF BELLINGHAM

SHEET 3	DATE FEB. 2020	DESIGNED BY MMM	DRAWN BY RDN	CHECKED BY
	SCALE AS SHOWN	LAKE WHATCOM WATER AND SEWER DISTRICT BELLINGHAM WASHINGTON		
PAGE 3	EXHIBIT E-3 SOUTH SHORE SYSTEM FLOW SCHEMATIC SUDDEN VALLEY & NO. POINT TO LLRI			
OF 3	JOB NUMBER 2019-077			